

## Insights from Trailblazing Women Inventors

**4:00 pm – 4:05 PM** – Introduction by Jasmine DeCock

**4:05 PM – 4:15 PM** – Welcome and Introduction of Panelists



[Delphine O'Rourke, Esq.](#)

Healthcare/Women's Health & Wellness  
Industry, Partner  
Goodwin



[Melanie Cristol, Esq.](#)

Founder  
Lorals



[Dr. Meesha Dogan](#)

CEO and Co-Founder  
CardioDiagnostics



[Amrita Saigal](#)

Founder and CEO  
Kudos

**4:15 PM – 5:05 PM** - Program

- What was your path to women's health?
- Discussion of the patent spectrum/landscape; each panelist to share their patent experience (i.e. no attorney advice on patents to full patent protection) & strategy
- Discussion around how IP lawyers can provide the greatest value add to founders and explain the patent spectrum, develop a strategy, risks and costs.
- Predictions for the women's health and wellness industry over the next 5 years.

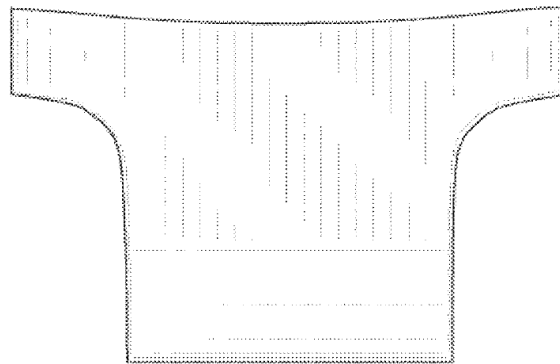
**5:05 PM – 5:20 PM** – Q&A : moderated by Jasmine DeCock

**5:20 PM – 5:25 PM** – Wrap Up by Delphine O'Rourke

**5:25 PM – 5:30 PM** - CLE code and logistics by the Young Lawyers Committee

# Lorals®

- 500% YoY growth
- Customers in over 60 countries
- US utility patents for product, process, and manufacturing mould
- Pending application for FDA clearance for STI protection
- For more information, see <https://mylorals.com>
- Intellectual Property includes:
  - **US Pat. No. 11,007,683:**
    - Barrier garment that seeks to “prevent the transmission of bacteria, sexually transmitted infections, fluids, tastes, and scents.”
    - “The barrier can be, for example, a device, a panty, a boyshort, a short, a lingerie item, a garment, an undergarment, a membrane, an apparatus, and/or a system.”
  - **US Pat. No. 10,265,889**
    - “Shaping old apparatuses and housing for manufacturing a garment apparatus”
  - **US Design Patent No. US D883,612 S**



**FIG. 6**

- Trademarks
  - **Reg. No. 6,295,393**



# CardioDiagnostics

- Initial development conducted at the University of Iowa Research Foundation
- First clinical product, Epi+Gen CHD launched in January 2021
- European patent granted and PCT applications pending
- Epi+Gen CHD awarded Clinical Diagnostics Solution of the Year by Biotech Breakthrough
- For more information, see <https://cardiodiagnosticsinc.com>
- Patents include:
  - **US Pub. No. US 2019/0264286:**
    - “methods and compositions are provided for detecting a predisposition for cardiovascular disease in each individual”

- **WO 2017/214397:**

In certain embodiments the present disclosure provides a kit for determining methylation status of at least one CpG dinucleotide and a genotype of at least one single-nucleotide polymorphism (SNP), the kit comprising at least one first nucleic acid primer at least 8 nucleotides in length that is complementary to a bisulfite-converted nucleic acid sequence comprising a CpG dinucleotide from a gene from **Figure 19** or a first CpG site in **Figure 20** or a second CpG dinucleotide collinear ( $R>0.3$ ) with a first CpG site from **Figure 20**, wherein the at least one first nucleic acid primer detects an unmethylated CpG dinucleotide; and at least one second nucleic acid primer at least 8 nucleotides in length that is complementary to a DNA sequence or bisulfite converted DNA sequence of a first SNP from **Figure 23** or a second SNP in linkage disequilibrium with a first SNP from **Figure 23**. In some embodiments, the linkage disequilibrium has a value of  $R>0.3$ .

# KUDOS

- Kudos founder Amrita Saigal's first company turned banana leaves into biodegradable sanitary pads
- Kudos was born from the need for a convenient but elegantly sustainable baby diaper
- Kudos is the only disposable diaper to have earned the cotton natural seal™ for being lined with 100% cotton
- Filed patent for DoubleDry™ technology, which is a system of two plant based absorbing layers working in combination with our cotton topsheet (the part of the baby diaper that touches the baby skin) that is able to quickly wick away urine from the baby's bottom and move that urine to the core of the diaper.
- For more information, see <https://mykudos.com>
- Patents include:
  - US 10,736,790:
    - Claim 1: A biodegradable absorbent article, comprising: a natural fiber cake comprising a superabsorbent polymer and cellulosic material containing plant pulp and plant fibers, wherein the superabsorbent polymer comprises a plant-derived compostable material, wherein said plant fibers are derived from at least the banana plant, and the plant pulp comprises pulped plant fibers derived from at least the banana plant, wherein the natural fiber cake contains substantially no wood pulp; a permeable top sheet covering one side of the natural fiber cake; and a water-insoluble back sheet covering an opposite side of the natural fiber cake, wherein said water-insoluble back sheet comprises a bio-based material, wherein the natural fiber cake, the permeable top sheet, and the water-insoluble back sheet are compostable.

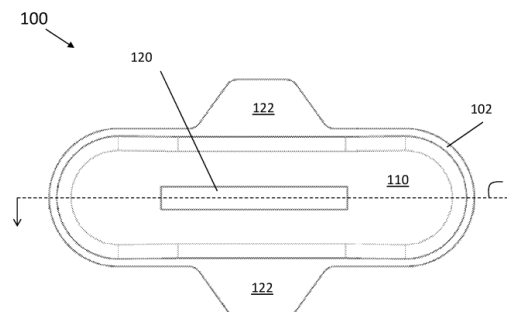


FIG. 1A

- **WO 2018/098104:**
  - “Herein is disclosed a biodegradable absorbent article having a natural fiber cake which may include a mixture of plant fibers and plant pulp, such as from a banana plant, and in embodiments, includes an absorbent article having a permeable top sheet; a natural fiber cake that may be derived from plant material such as the banana plant; a water-insoluble back sheet; and an optional superabsorbent polymer, and wherein the absorbent article may be used for many purposes such as a sanitary napkin or urinary incontinence pads.”